

**Blastrite (Pty) Ltd**

P.O. Box 5515  
Cape Town  
South Africa  
Tel. : +27 21 417 1700  
Fax. : +27 21 425 2341  
E-mail : sales@blastrite.com

**Commercial Information****SURFACE PREPARATION INNOVATION****Version Date:** January 2011**Title:** Blast Cabinets**BLAST CABINETS**

Blastrite's new **Suction Blast Cabinet** is an economically priced blast cabinet ideally suited for low to medium production applications.

**The unit features best-in-class:**

- Viewing window (575mm x 265 mm)
- Internal dimensions 1 215 mm x 610 mm x 575 mm (width x depth x height)
- Side door openings 509 mm x 495 mm
- Top door opening 1 170 mm x 307 mm

**Standard features:**

- High performance suction gun featuring 3mm air tip & 6mm blast nozzle
- Unique three (3) access door design for added versatility
- Simple, robust foot pedal blast control
- Adjustable abrasive feed control
- 1200 watt high performance dust collector with replaceable dry filter cartridge
- Extra large 575 mm x 265 mm operator viewing window
- Viewing window and cabinet light protective tear off covers
- Compressed air regulator and gauge assembly

**Suitable abrasives:**

- Steel Grit & Shot
- Aluminium Oxide
- Glass Beads
- Microblast

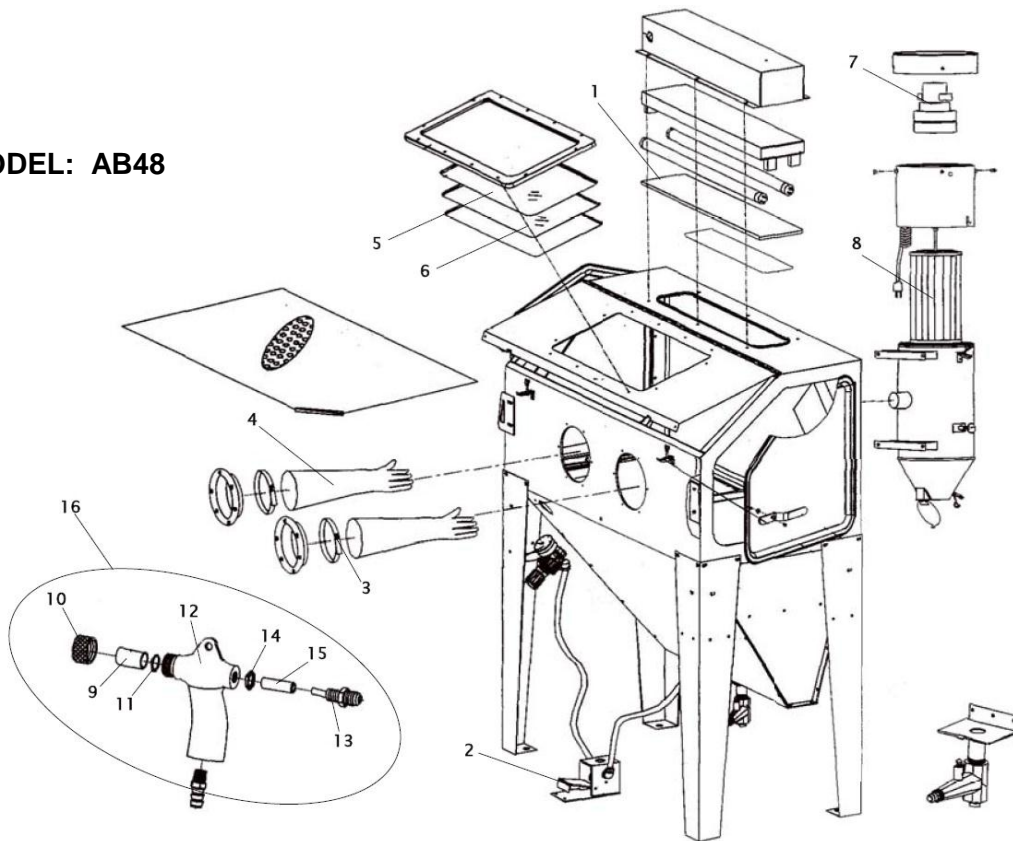
**Common applications:**

- De-scale and de-rust metal surfaces
- Remove paint and powder coating
- De-burr and de-flash castings and mouldings
- Decorative finishing of stainless steel, aluminium and other non-ferrous metals
- Etching of glass and stone

**SURFACE PREPARATION INNOVATION**

Portable/Stationary Abrasive Blast Equipment - Nozzles - Nozzle Holders - Hoses - Couplings - Lighting  
Wetblast Equipment - High Pressure Waterjetting - Personal Protection - Blast Cabinets - Dehumidifiers  
Blastrooms Vacuum Blast/Recovery Equipment - Portable/Stationary Wheelblast Equipment  
Pipe Cleaning/Coating - Air Treatment - Mobile Dust Collectors - Media - Paintspray Equipment  
Plural Component - Measuring Instruments

**MODEL: AB48**



**Blast Cabinet B48 Parts List**

Item	Stock Code	Description	Qty
1	AB-0478-00	Light Window	1
2	AB-0479-00	Foot Pedal	1
3	AB-0480-00	Glove Clamps	2
4	AB-0006-00	Gloves	1PR
5	AB-0481-00	Cabinet Windows	1
6	AB-0482-00	Cabinet Window Cover	1
7	AB-0037-00	Dust Collector Motor - 240 Volt	1
8	AB-0022-00	Dust Collector Filter	1
9	AB-0092-00	Suction Gun Nozzle Nut	4
10	AB-0503-00	Suction Gun Blast Nozzle - 6mm (1/4")	1
11	AB-0505-00	Blast Nozzle	1
12	AB-0093-00	Suction Gun Body	1
13	AB-0094-00	Suction Gun Air Jet - 3mm (1/8")	1
14	AB-0095-00	Air Jet Lock Nut	1
15	AB-0096-00	Air Jet Sleeve	1
16	AB-0097-00	Suction Gun Assembly	1

**Technical Data**

Side Door Opening	509 mm Wide
	495 mm High
Top Door Opening	1170 mm Wide
	307 mm High
Internal Dimensions	1215 mm Wide
	610 mm Deep
	575 mm High
Overall Dimensions Assembled	1320 mm Wide
	930 mm Deep
	1670 mm High
Window Dimensions	575 mm Wide
	265 mm High
Shipping Dimensions	1270 mm Wide
	1250 mm Deep
	760 mm High
Cabinet Light	2 x 18 watt
Dust Collector Motor	1200 watt
Compressed Air Required	8.5 L/Sec (18 cfm) @ 550 Kpa (80 psi)
Air Supply Line	110 mm (3/8")

## SURFACE PREPARATION INNOVATION

Portable/Stationary Abrasive Blast Equipment - Nozzles - Nozzle Holders - Hoses - Couplings - Lighting  
 Wetblast Equipment - High Pressure Waterjetting - Personal Protection - Blast Cabinets - Dehumidifiers  
 Blastrooms Vacuum Blast/Recovery Equipment - Portable/Stationary Wheelblast Equipment  
 Pipe Cleaning/Coating - Air Treatment - Mobile Dust Collectors - Media - Paintspray Equipment  
 Plural Component - Measuring Instruments